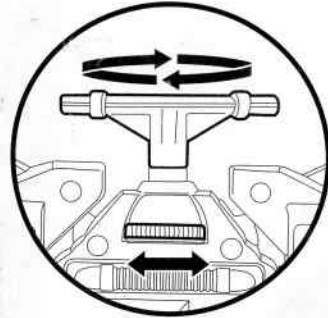




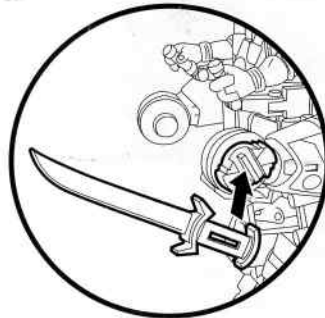
# M.E.C.H. WREKKERS LEO INSTRUCTIONS:



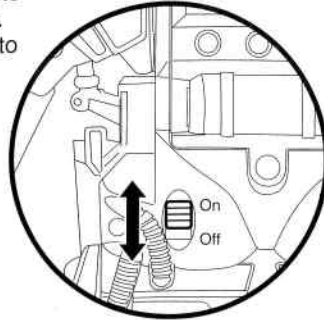
1. Open the covers and secure Leo into position with hands on handle bars. Close shoulder bar and leg covers to starting position.



2. Use Thumb wheel on top to rotate radar disc.



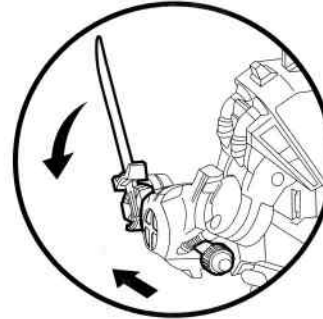
4. Snap swords into wrist.



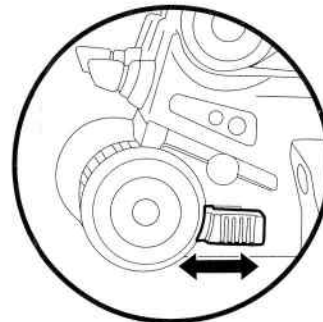
6. Move the switch on back to the "On" position and Leo's ready to walk!



3. Press buttons to fire missiles.



5. Then bend elbow joints and push the elbow mounted rods to slash sword.



7. Move the switch on Mech Wrekker's outside foot to make him turn right or go forward.

### To replace batteries:

- 1). Remove screw from battery cover and remove battery cover door.
- 2). Replace batteries with three new AA batteries.
- 3). Replace cover and replace screw.

### Battery Regulations:

- do not mix old and new batteries,
- do not mix alkaline, standard (carbon-zinc), or rechargeable (nickel-cadmium) batteries.

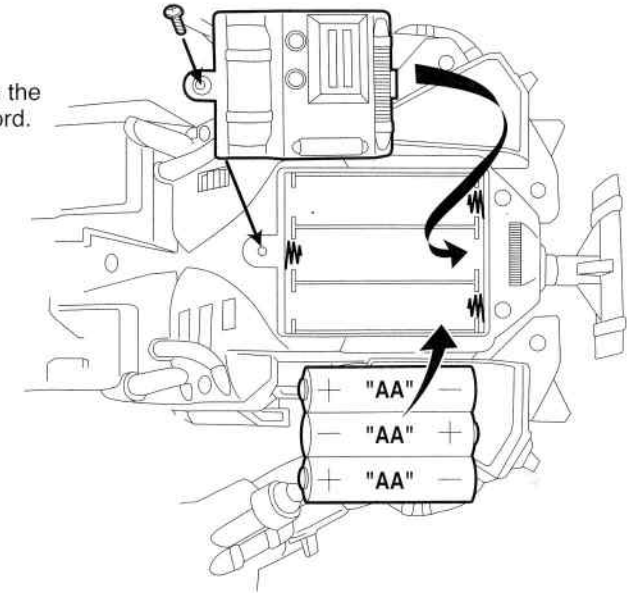
This device complies with Part 15 of the FCC Rules. Operation is subject to the following two conditions: (1) this device may not cause harmful interference, and (2) this device must accept any interference received, including interference that may cause undesired operation

To Reset: Slide the switch to "Off" position.

### Battery Instructions:

- do not use rechargeable batteries;
- non-rechargeable batteries are not to be recharged;
- different types of batteries or new and used batteries are not to be mixed;
- only batteries of the same or equivalent type as recommended are to be used;
- batteries are to be inserted with the correct polarity;
- exhausted batteries are to be removed from the toy;
- the supply terminals are not to be short-circuited.

In environments with severe electrostatic discharge, the product may malfunction and will require user reset.



Age 4 and up

**Playmates** ASST NO. 54650  
STOCK NO. 54651

Do not use projectiles other than those provided by the toy.

Teenage Mutant Ninja Turtles® © 2005 Mirage Studios, Inc. Teenage Mutant Ninja Turtles®, Leonardo®, Michelangelo®, Raphael®, Donatello®, Splinter®, Shredder®, and Foot Soldier® are registered trademarks of Mirage Studios, Inc. All Rights Reserved. PRINTED IN CHINA.